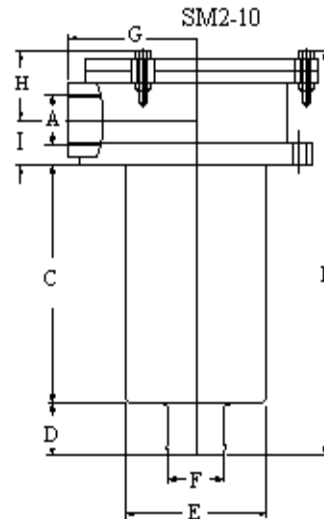
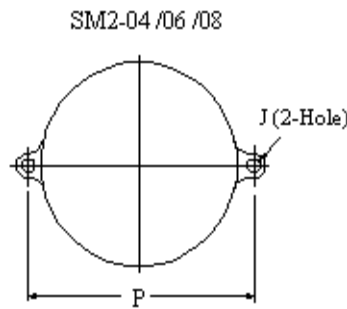
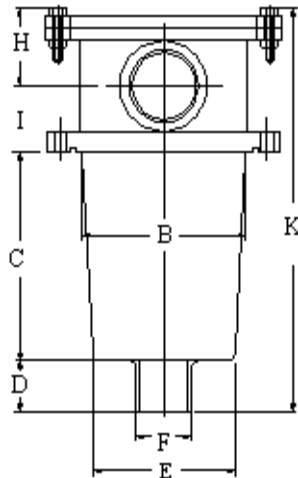
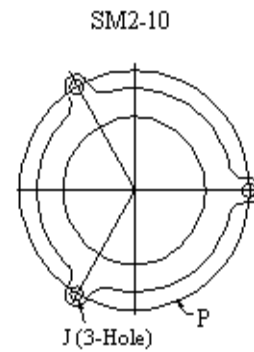
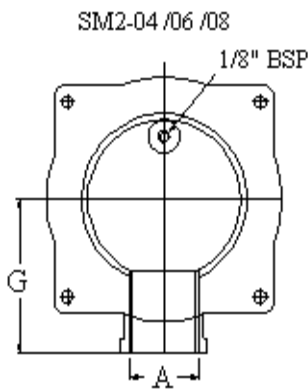


- 4 SIZE – FLOWS UP TO 175 LPM
- ELEMENTS REPLACEBLE THROUGH COVER
- ALL ALUMINIUM DIE CAST CONSTRUCTION
- OPTIONALS CLOGGING INDICATOR
- BY PASS STANDARD – 1 BAR
- 10 BAR WORKING PRESSURE
- BSP THREAD STANDARD – FOR OPTIONAL THREADS CONSULTS FACTORY
- DIRECT TANK MOUNTED
- FOR USE WITH MINERAL / PETROLEUM BASE OILS



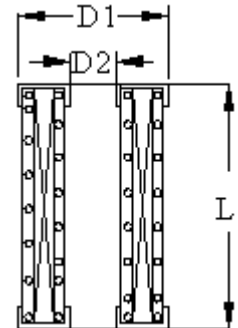
Model NO.	Port Size BSP			Point Size BSP				G	H	I	J	P	Total Length K	WT. KGS
	A	B	C	D	E	F								
SM2 - 04	1/2"	64.0	61	15.0	61	1/2"	50.0	33.5	23.0	6.5	90	133	0.70	
SM2 - 06	3/4"	85.5	76.5	14.5	81	3/4"	69.0	36.0	28.0	7	112	154	1.12	
SM2 - 08	1"	85.5	105	14.5	81	3/4"	69.0	38.0	31.5	7	112	190	1.40	
SM2 - 10	1-1/4"	107	173	37.0	107	42 MM HOSE	96.5	43.5	35.0	11	175	300	2.30	

**MODEL CODE ASSEMBLY**

SM2	4	B	ELEMENT	
SERIES	PORT	THREAD	FILTRATION	
	INCH		MICRON	
2-ALL CAST	04 - 1/2"	B - BSPP (STD) N - NPT (OPTIONAL)	P10 - 10μ	M 149 - 149μ MESH
	06 - 3/4"		P25 - 25μ	M 100 - 100μ MESH
	08 - 1"		M 074 - 074μ MESH	
	10 - 1 1/4"		M 063 - 063μ MESH	

**MODEL CODE : ELEMENT**

SME	D1	D2	LENTH	ELEMENT 10 / 25 PAPER	Sq.Cm 149 SS MESH
SME-04	51	25	72	710	325
SME-06	65	32	93	1225	425
SME-08	65	32	131	2450	665
SME-10F*	100	40	200	5000	1930
SME-10H*	100	40	245	6120	2360



\*F – FOR FLUDEN \*H – FOR HP

\* Tolerance: +1 MM

**APPLICATION OF THE FILTER**

