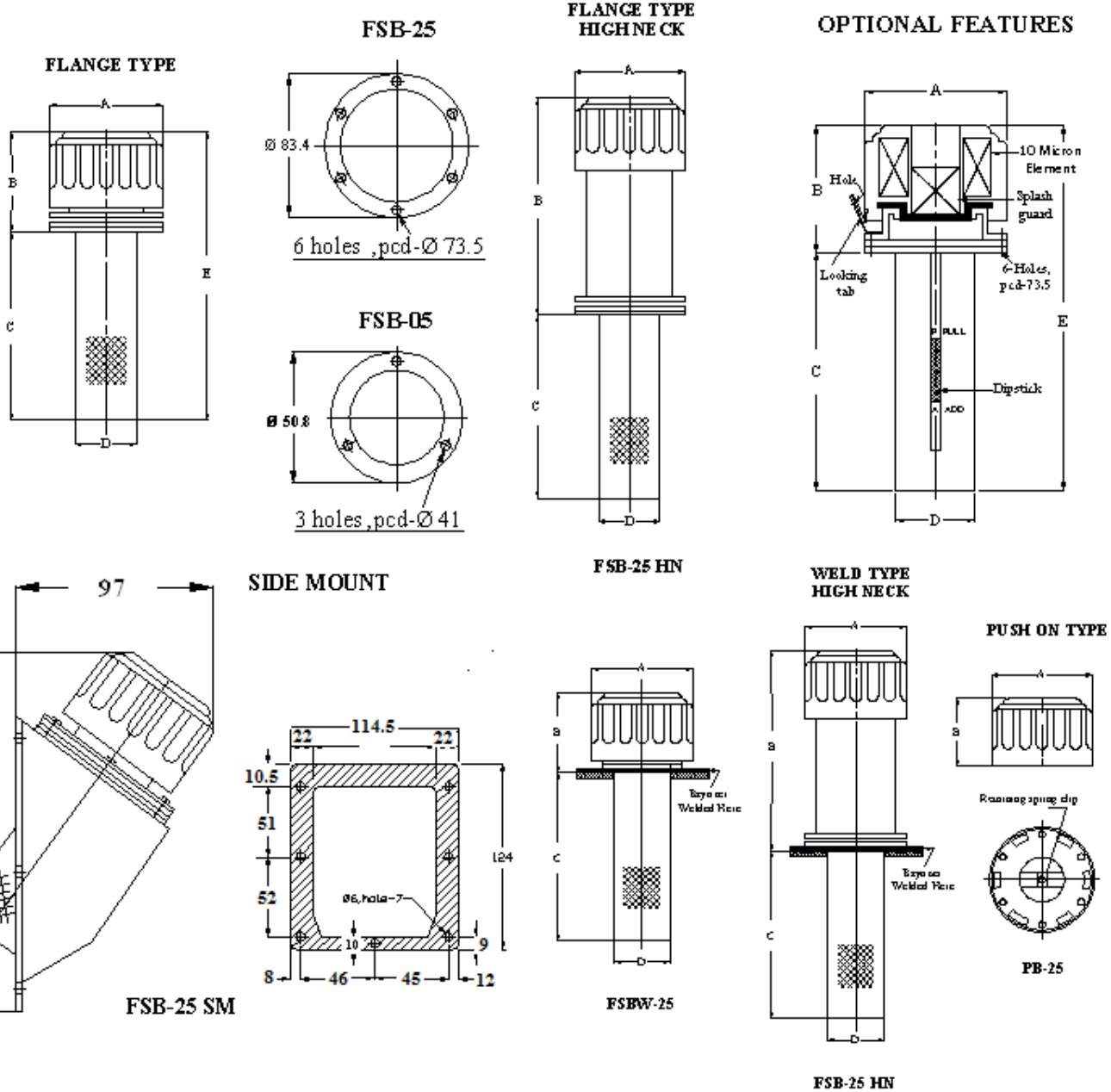


- CHROME PLATED STEEL CAP
- FILTRATION 40 MICRONS STANDARD / OPTIONAL 10 & 3 MICRONS
- AIR FLOWS TO 25 CFM (750 LPM)
- RUGGED CAST ALLUMINIUM HOUSING (FOR BM MODEL)
- METAL STRAINER OR PLASTIC STRAINER
- HARDWARE INCLUDES GASKETS & (05 X 15) SCREWS



OPTIONAL / SPECIAL FEATURE (CONSULT FACTORY)
 - OMIT IF NOT REQUIRED

DIMENSIONS IN MM FOR REFERENCE ONLY

BREATHER – FSB

FLUDEN

MODEL	DESPLACEMENT	RATING							WEIGHT	
		MICRONS	A	B	C	D		E	S	N
FSB - 05 (S/N)	5 CFM/150 LPM	40	46	54	62.5	29	28	116	0.09	0.07
FSB - 05 (S/N) -10	5 CFM/90 LPM	10/3	46	54	62.5	29	28	116	0.09	0.07
FSB - 25 (S/N)	25 CFM/720 LPM	40	77	63	88	48	48	154	0.20	0.19
FSB - 25 (S/N) -10	25 CFM/400 LPM	10/3	77	63	88	48	48	154	0.20	0.19
*FSBW - 25	25 CFM/720 LPM	40	77	63	88	48	48	154	0.25	0.25
* FSB - 25 - HN	25 CFM/720 LPM	40	77	122	88	48	48	210	0.40	0.40
* FSBW - 25 - HN	25 CFM/720 LPM	40	77	122	88	48	48	210	0.40	0.40
* PB - 25	25 CFM/720 LPM	40	77	50					0.21	0.21

TOLERANCE : + 1MM

* PRODUCT UNDER DEVELOPMENT

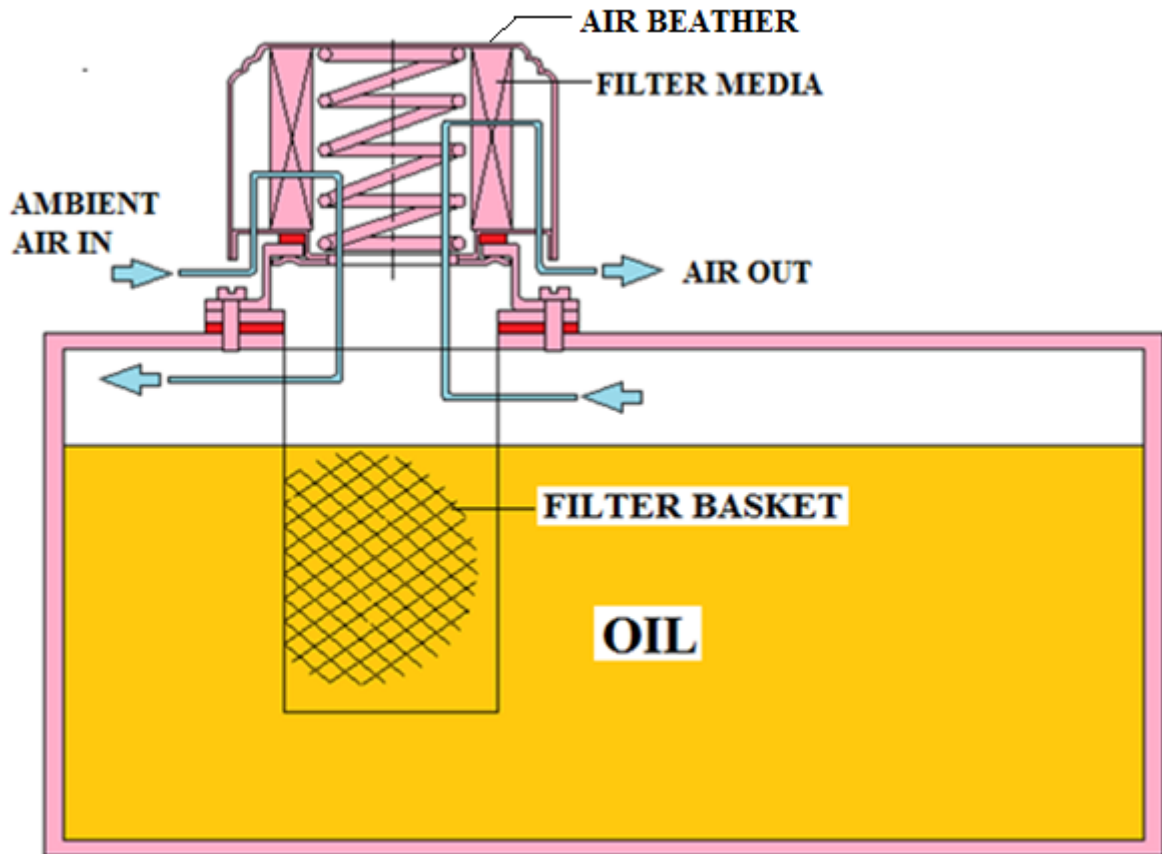
MODEL CODE : ASSEMBLY

FSB	25	**	BM	**	**	**
SERIES	CAPACITY	FILTRATION	FEATURE	STRAINER	FEATURE 1	FEATURE 2
	CFM	μ MICRONS	OPTIONAL (1)	C* OPTPTIONAL (2)	OPTIONAL # (OMIT IF NOT REQD)	OPTIONAL # (OMIT IF NOT REQD)
FSB	5 (150 LPM)	40 - 40 μ STD		STD		CONSULT FACTORY
FSB	25 (75 LPM)		10 -10 μ NOM	SM - SIDE MOUNT	L 4 - STD L 6 - 152 M M Metal Only	L T - LOCKING TAB z P5 -Pressurized 5psi z
*FSBW		03 - 3 μ NOM	HN - HIGH NECK	L 8 - 203 M M Metal Only	SG - SPLASH GUARD z	DS 8 - DIP STICK 8" z

OPTIONAL / SPECIAL FEATURE (CONSULT FACTORY) – OMIT IF NOT REQUIRED

(z) PRODUCT UNDER DEVELOPMENT

DIMENSIONS IN MM FOR REFERENCE ONLY



APPLICATION OF AIR BEATHER